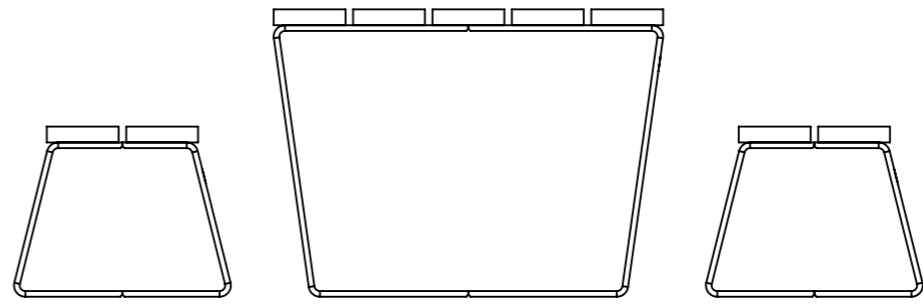
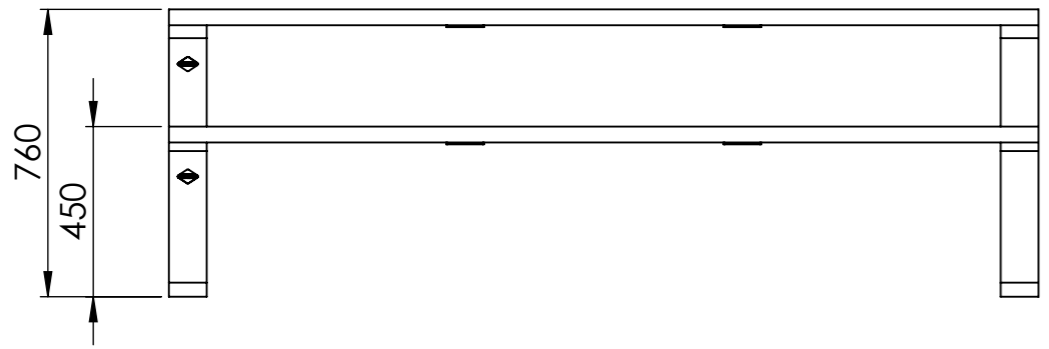
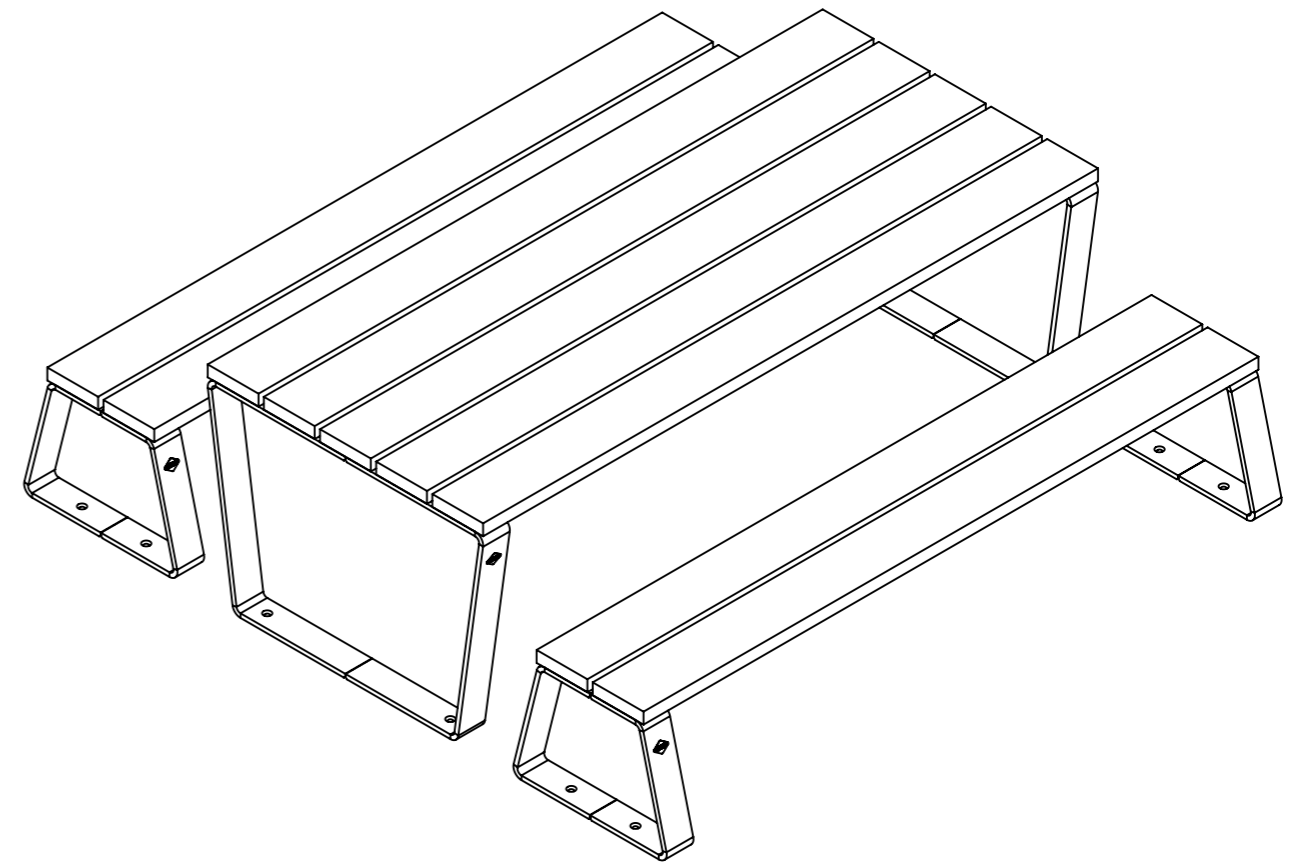
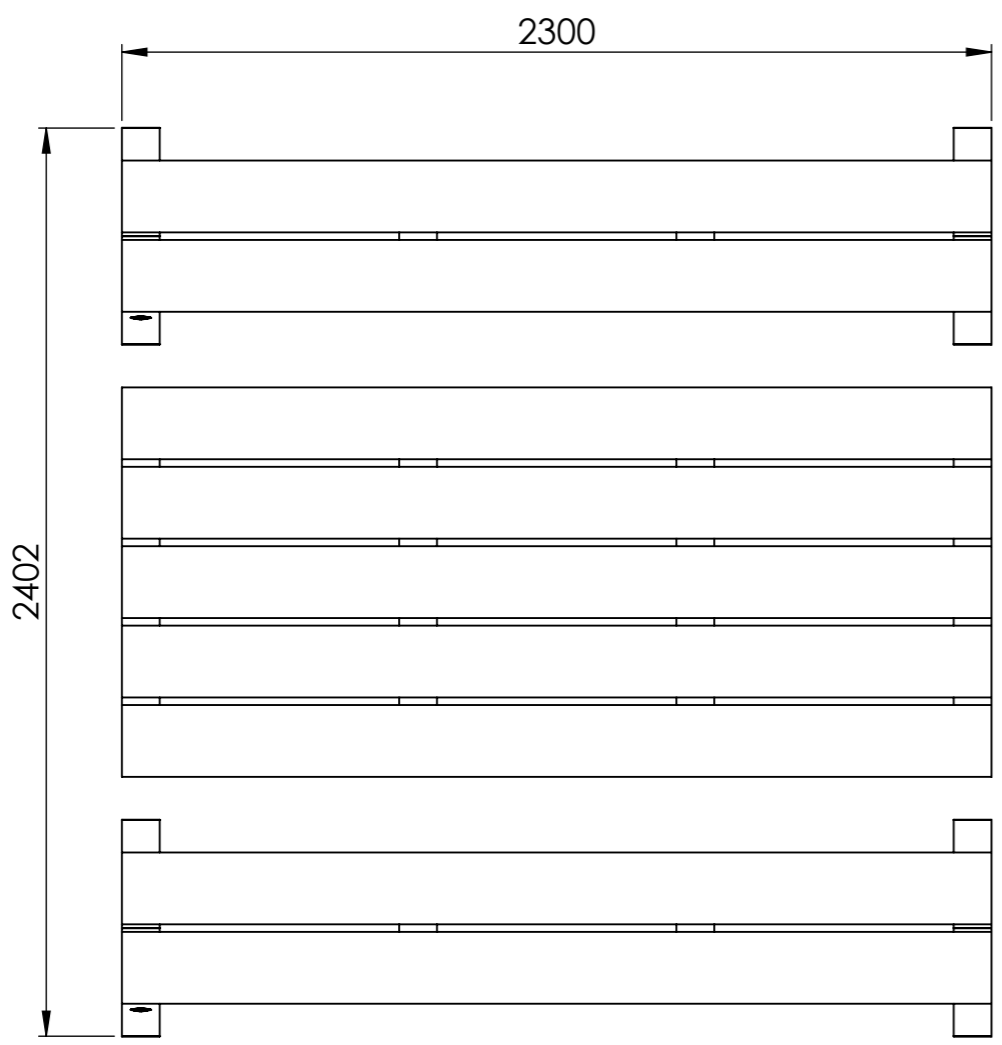


1 2 3 4 5 6 7 8

A
B
C
D
E
F

A
B
C
D
E
F



DRAWN	Pleuni Bongers	DATE	25-5-2021		TITLE:	MOPNC.2300	
REVISION					Drawing.	MOPNC.2300	A3
		Liessentstraat 4, 5405 AG Uden (NL). † 0031 (0)413 - 27 41 68. e info@furns.nl, † www.furns.nl		Color:	-	Mass(kg):	
				SCALE:1:20	SHEET 1 OF 3		

1 2 3 4