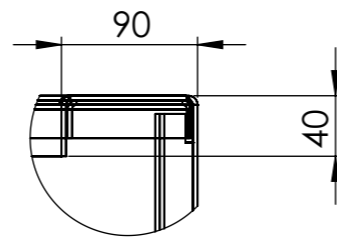
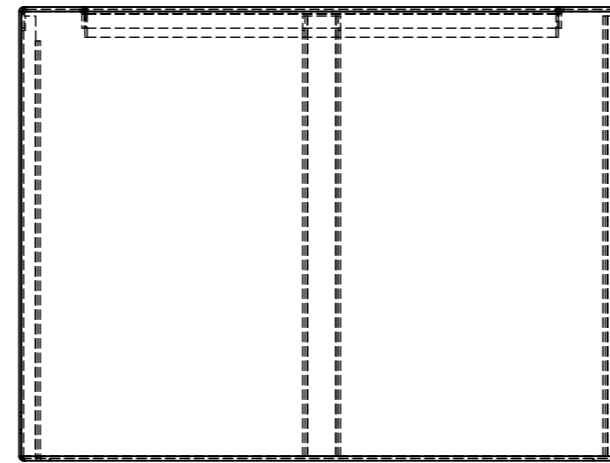


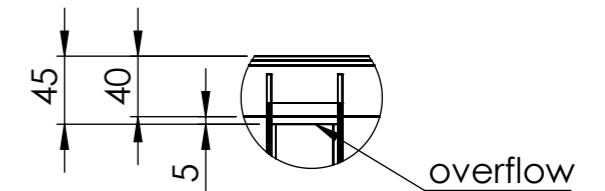
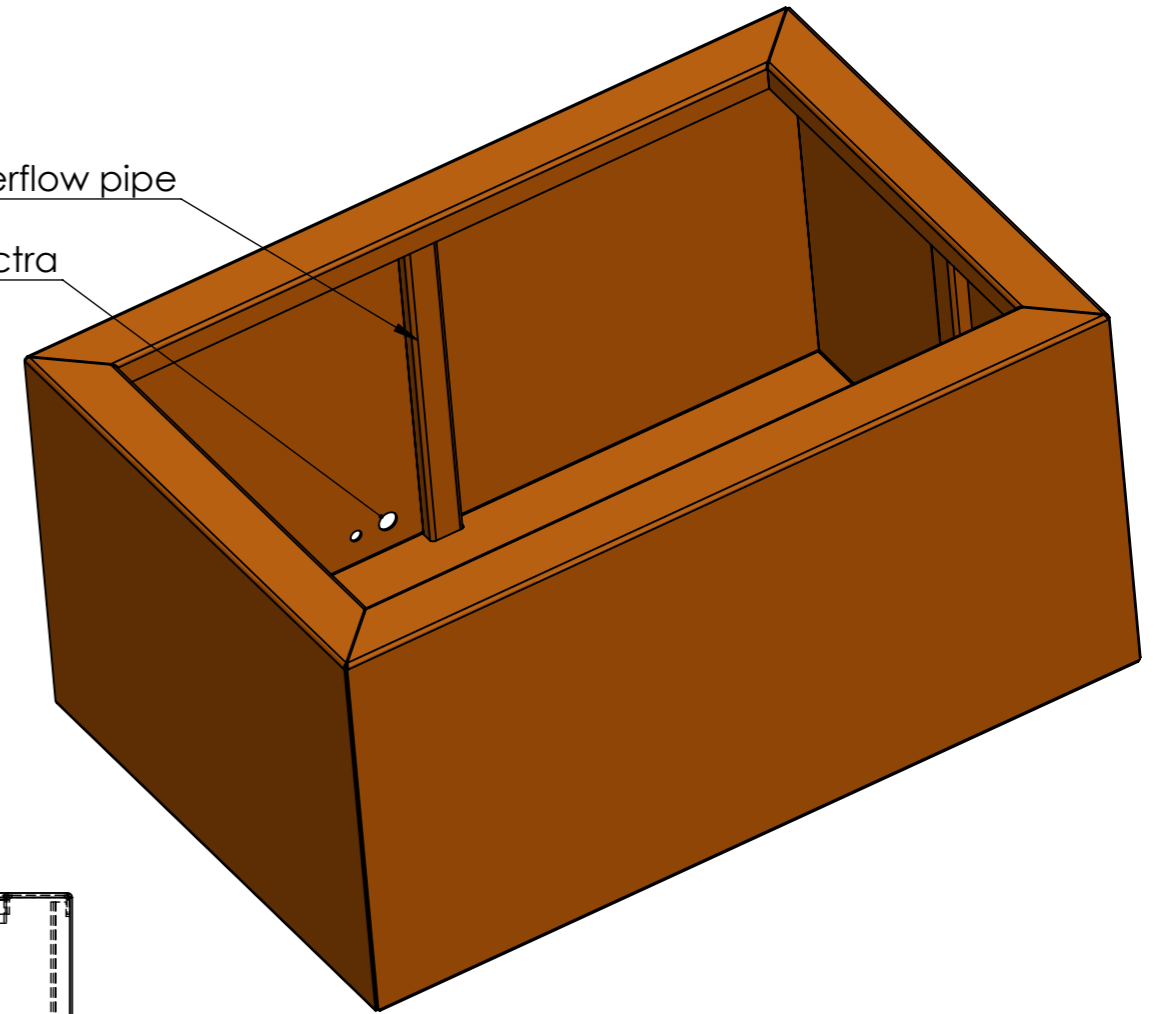
DETAIL C
SCALE 1 : 5



DETAIL B
SCALE 1 : 5



Overflow pipe
Pump and electra



DETAIL A
SCALE 1 : 5

**Overflow pipe and holes for pump and electra placement on request!
Approval drawings will be made and send accordingly.**

DRAWN	Luuk van den Heuvel	DATE	2-2-2020		TITLE:	3mm Corten	
REVISION					Drawing:	VC11_SLDDRW	A3
WE PRODUCE GARDEN PRODUCTS FOR PROFESSIONALS							
Color:	-	Mass (kg):	106.41	SCALE:1:10	SHEET 1 OF 13		
Liessentstraat 4, 5405 AG Uden (NL). † 0031 (0)413 - 27 41 68. e info@adezz.com, i www.adezz.com							